

Stereophonic

THE FISHER



MPX-100

SERVICE

MANUAL



MODEL MPX-100

CHASSIS SERIAL NUMBERS FROM 20001 TO 39999 INCLUSIVE

PRICE: \$1.00

FISHER RADIO CORPORATION • NEW YORK



CHASSIS SERIAL NUMBERS
FROM 20001 TO 39999 INCLUSIVE

THE FISHER MPX-100



PARTS DESCRIPTION LIST

CAPACITORS

10% tolerance for all fixed capacitors, unless otherwise noted or marked GMV (guaranteed minimum value). All capacitors not marked uf are pF (uf).

Symbol	Description	Part No.
C1	Ceramic, 16, N75, 1000V	C50070-21
C2	Ceramic, 24, 5%, 1000V	C50070-8
C3	Ceramic, .02uf, +80 -20%, 500V	C50089-4
*C4	Ceramic, 470, 1000V	C50072-13
C5	Electrolytic, .8uf, 50V	C629-138
C6	Electrolytic, 1uf, 350V	C50283-3
C7	Ceramic, 220, 1000V	C50072-20
*C8, 9	Mica, 3900, 5%, 500V	C50332-6
C10	Ceramic, 5000, 20%, 500V	C50089-1
C11	Ceramic, .01uf, 20%, 500V	C50089-3
C12, 13	Ceramic, 1000, GMV, 500V	C50089-2
C14	Ceramic, .05uf, +80 -20%, 100V	C50073-2
C15, 16	Mica, 5100, 5%, 300V	C50332-1
C17	Mylar, 4700, 400V	C50197-25
C18, 19	Ceramic, .02uf, +80 -20%, 500V	C50089-4
C20, 21	Mylar, .047uf, 400V	C50197-30
C22, 23	Ceramic, 1000, 1000V	C50072-3
C24	Electrolytic, 4-Section: A — 40uf, 350V B — 40uf, 350V C — 10uf, 300V D — 10uf, 300V	C50180-25
C25	Ceramic, .0012uf, 1000V	C50072-4
C26	Ceramic, 680, 1000V	C50072-2
C27	Ceramic, .0012uf, 1000V	C50072-4
C28, 29	Ceramic, 27, 5%, N150, 1000V	C50070-37
C30	Ceramic, 680, 1000V	C50072-2
C31	Electrolytic, 50uf, 3V	C50283-1
C32, 33	Mylar, .1uf, 400V	C50197-32
C34	Ceramic, 220, 1000V	C50072-20
C35	Ceramic, 100, N1500, 1000V	C50070-6
C36	Ceramic, 1000, GMV, 500V	C50089-2

RESISTORS AND POTENTIOMETERS

In ohms, 10% tolerance, 1/2 Watt, unless otherwise noted. K=Kilohm, M=Megohm.

Symbol	Description	Part No.
R1	Composition, 22M	RC20BF226K
R2	Composition, 4.7M	RC20BF475K
R3	Dep. Carbon, 120K, 5%, 1/3 W	R33DC124J
R4	Dep. Carbon, 10K, 5%, 1/3 W	R33DC103J
R5	Dep. Carbon, 1K, 5%, 1/3 W	R33DC102J
R6	Composition, 4.7K, 5%	RC20BF472J
R7	Composition, 560	RC20BF561K
R8	Composition, 4.7K, 5%	RC20BF472J
R9, 10	Dep. Carbon, 100K, 5%, 1/3 W	R33DC104J
R11	Dep. Carbon, 1M, 5%, 1/3 W	R33DC105J
R12	Composition, 10M	RC20BF106K
*R13	Composition, 68	RC20BF680K
R14	Composition, 22M	RC20BF226K
R15	Dep. Carbon, 1M, 5%, 1/3 W	R33DC105J

R16	Dep. Carbon, 220K, 5%, 1/3 W	R33DC224J
R17	Dep. Carbon, 1M, 5%, 1/3 W	R33DC105J
R18, 19, 20, 21	Dep. Carbon, 47K, 5%, 1/3 W	R33DC473J
R22	Composition, 1.8M	RC20BF185K
R23	Dep. Carbon, 220K, 5%, 1/3 W	R33DC224J
R24	Dep. Carbon, 1M, 5%, 1/3 W	R33DC105J
R25	Dep. Carbon, 22K, 5%, 1/3 W	R33DC223J
R26	Potentiometer, 5K, Balance Control	R50150-5
R27	Dep. Carbon, 47K, 5%, 1/3 W	R33DC473J
R28	Dep. Carbon, 1M, 5%, 1/3 W	R33DC105J
R29	Dep. Carbon, 47K, 5%, 1/3 W	R33DC473J
R30	Dep. Carbon, 1M, 5%, 1/3 W	R33DC105J
R31	Composition, 470	RC20BF471K
R32	Composition, 4.7K, 5%	RC20BF472J
R33	Potentiometer, 50K, Separation Control	R925-114
R34	Composition, 470	RC20BF471K
R35	Composition, 4.7K, 5%	RC20BF472J
R36	Dep. Carbon, 47K, 5%, 1/3 W	R33DC473J
R37	Composition, 27K, 5%	RC20BF273J
R38	Potentiometer, 250K, Left Output Level	R50103-1
R39	Dep. Carbon, 47K, 5%, 1/3 W	R33DC473J
R40	Potentiometer, 250K, Right Output Level	R50103-1
R41	Dep. Carbon, 100K, 5%, 1/3 W	R33DC104J
R42, 43	Dep. Carbon, 330K, 5%, 1/3 W	R33DC334J
R44	Composition, 2.7K	RC20BF272K
R45, 46	Dep. Carbon, 120K, 5%, 1/3 W	R33DC124J
R47	Composition, 2.7K	RC20BF272K
R48	Composition, 2.7K, 1W	RC30BF272K
R49	Dep. Carbon, 100K, 5%, 1/3 W	R33DC104J
R50	Composition, 1.2K, 1W	RC30BF122K
R51	Potentiometer, Wirewound, 500	R516-128
R52	Composition, 680	RC20BF681K

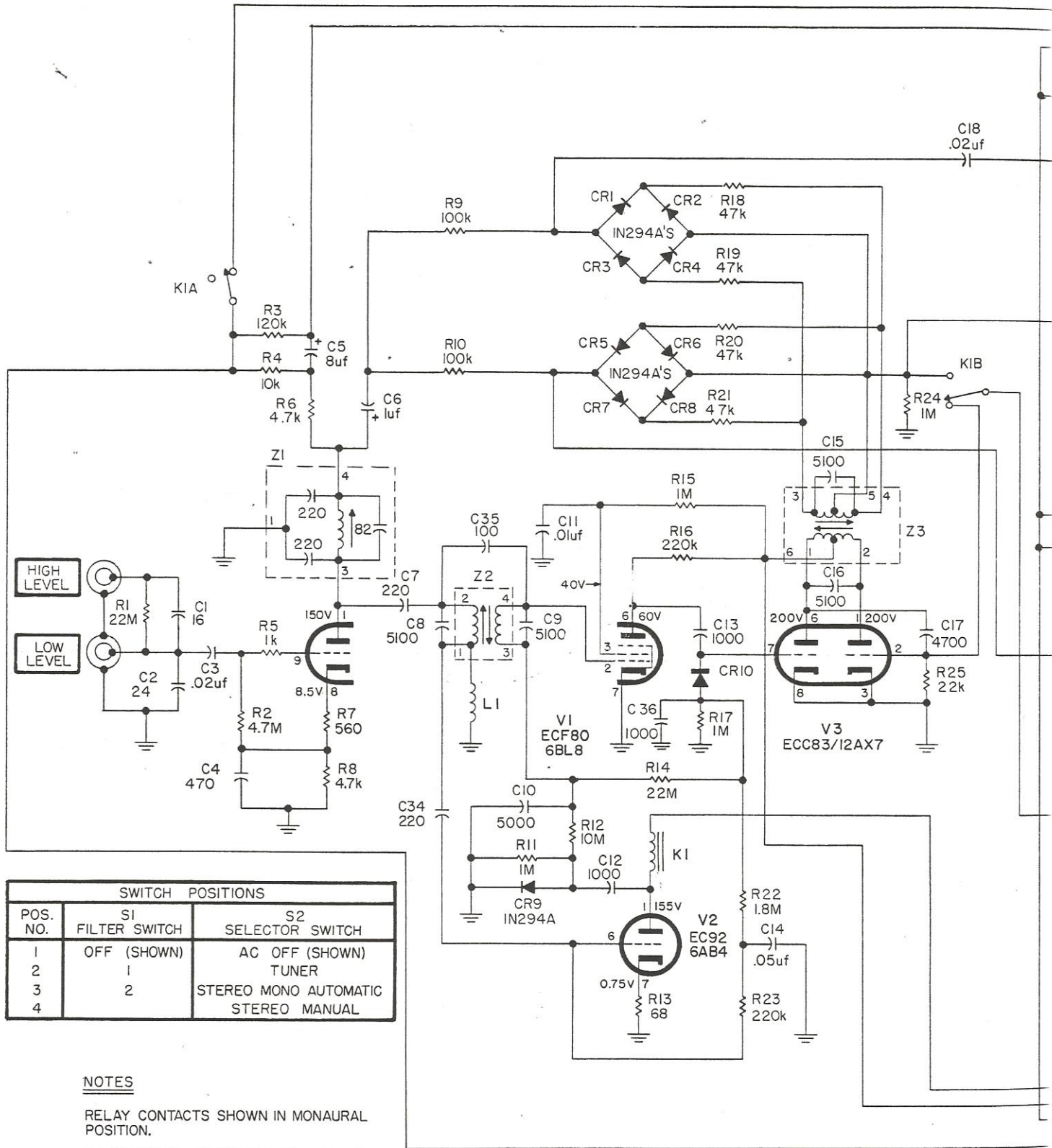
MISCELLANEOUS

Symbol	Description	Part No.
*CR1, 2, 3, 4, 5, 6, 7, 8, 9	Diode, Type 1N294A	V-1N294A
CR10	Diode, Type 1112	V-1112
I1, 2	Bulb, #47	I50009-1
K1	Relay	K925-126
L1	Coil, 5.25, M.H., 5%	L50334-1
PC1, 2	Printed Circuit	PC50187-11
S1	Switch, Noise Filter	S925-128
S2	Switch, Selector	S925-127
S3	Switch, Power	Part of S2
SR1	Selenium Rectifier	SR50253-2
T1	Transformer, Power	T925-115-1
Z1	Coil, Low Pass	ZZ50210-17
Z2	Transformer, 19Kc	ZZ50210-13
Z3	Transformer, 38Kc	ZZ50210-31
—	Dress Panel	AS925-108
—	Knob, Front Panel	E50224-1
—	Knob, Rear Panel	E925-125
—	Jewel, Red	I50162-1
—	Jewel, Green	I50162-4

*NOTE: C4 — on some units this may be Ceramic 220 pF.
C8 & 9 — on some units this may be Mica 5100 pF, 5%.
R13 — on some units this may be 120 ohms.
CR1 through CR9 — some units may use Diode, Type 1112.

Note: If replacement is required on any of the above items, use the same part as previously used. Do not substitute alternate types.

SCHEMATIC DIAGRAM

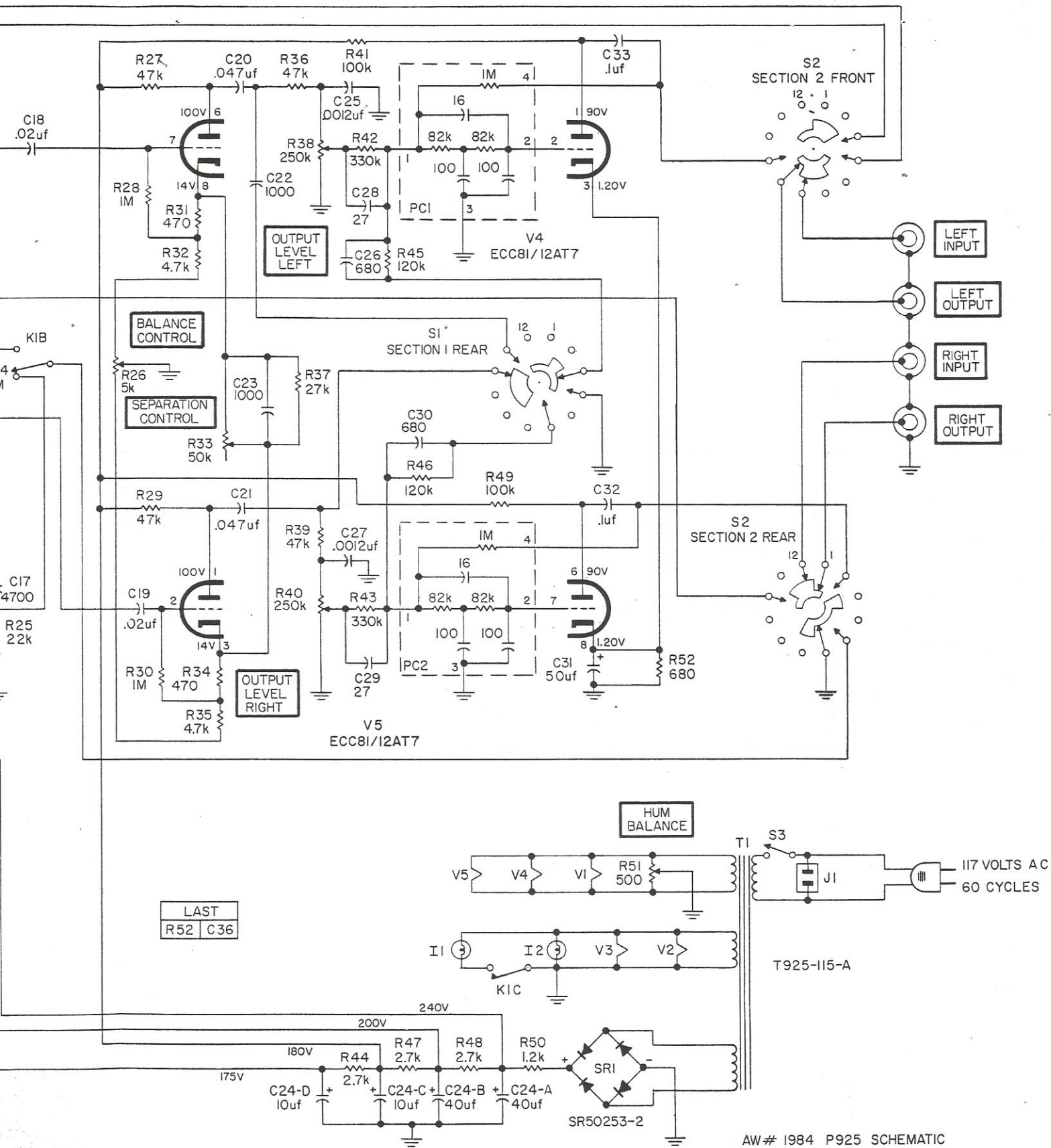


SWITCH POSITIONS		
POS. NO.	S1 FILTER SWITCH	S2 SELECTOR SWITCH
1	OFF (SHOWN)	AC OFF (SHOWN)
2	1	TUNER
3	2	STEREO MONO AUTOMATIC
4		STEREO MANUAL

NOTES

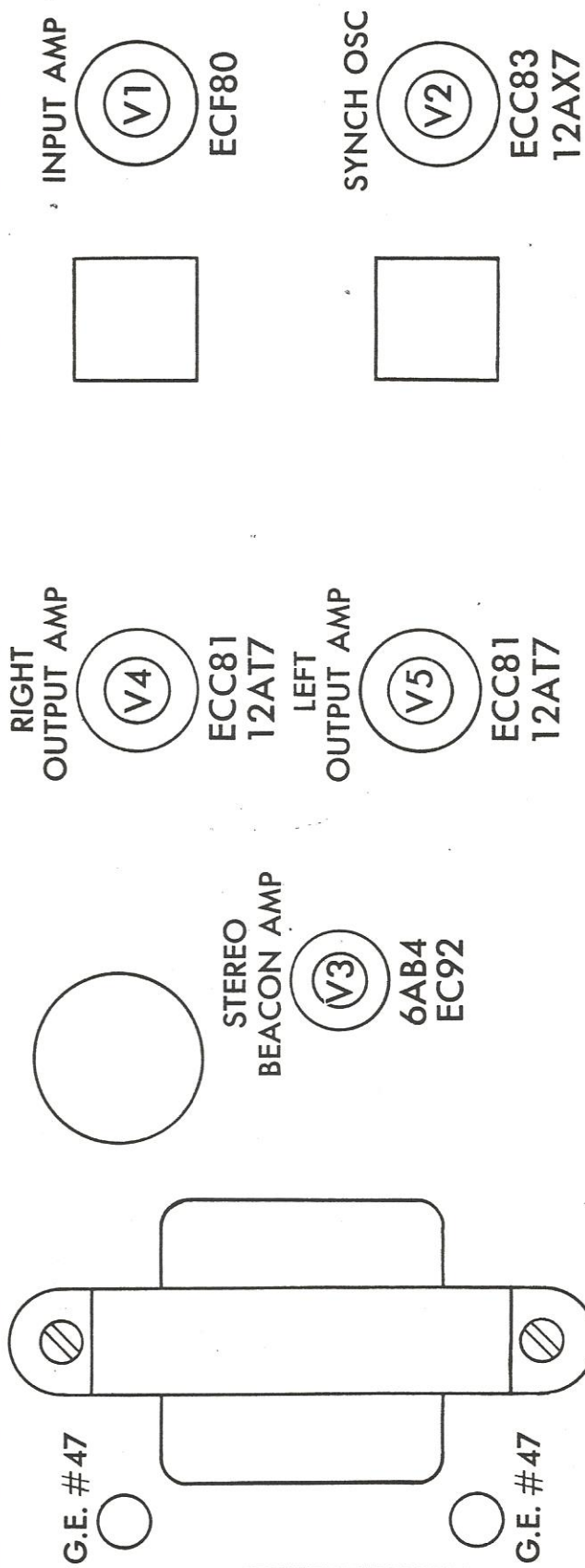
RELAY CONTACTS SHOWN IN MONAURAL POSITION.

D.C. VOLTAGES ARE MEASURED WITH VTVM AND REFERENCED TO CHASSIS GROUND. NO INPUT SIGNAL.



AW# 1984 P925 SCHEMATIC

TUBE LAYOUT



SERVICE NOTES



FISHER RADIO CORPORATION • NEW YORK

N925-130

PRINTED IN U. S. A.

©1961 FISHER RADIO CORPORATION

358-W22C-111